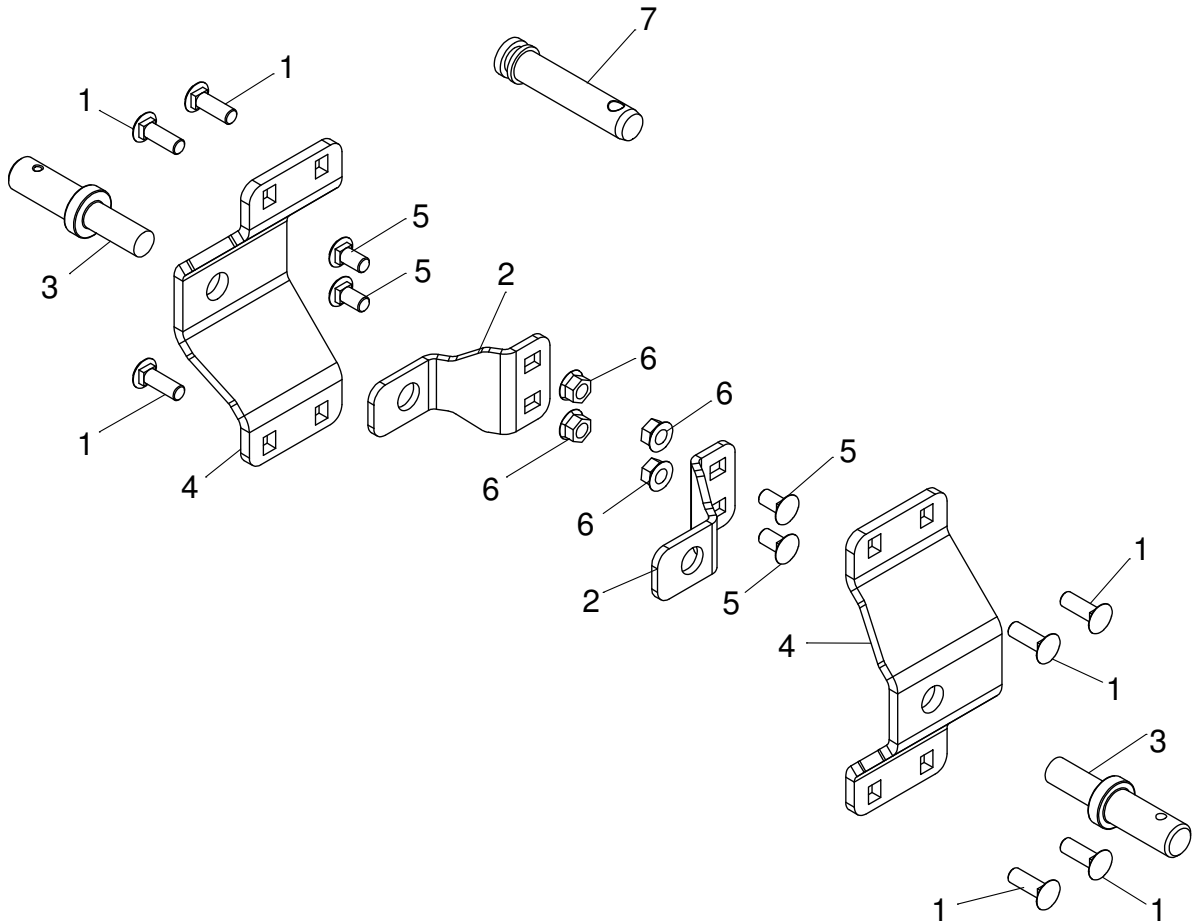


CAT 2 Pin Kit



ITEM NO.	PART NUMBER	DESCRIPTION	QTY.	Note
1	5CS65272	1/2" x 1-1/2" Carriage Bolt	8	
2	5CS43963	CAT 2 Pin Brace	2	
3	5CS61513	CAT 2 Side Pin	2	
4	5CS43962	CAT 2 Pin Bracket	2	
5	5CS65044	1/2" x 1" Carriage Bolt	4	
6	5CS65037	1/2" Flange Nut	4	
7	5CS61514	CAT 2 Top Link Pin	1	